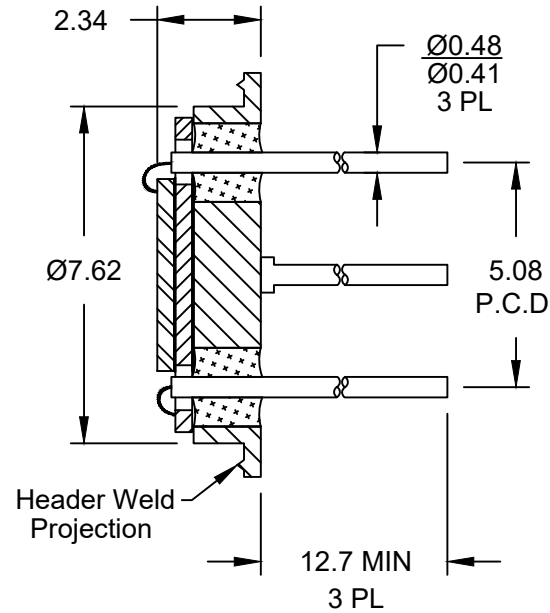
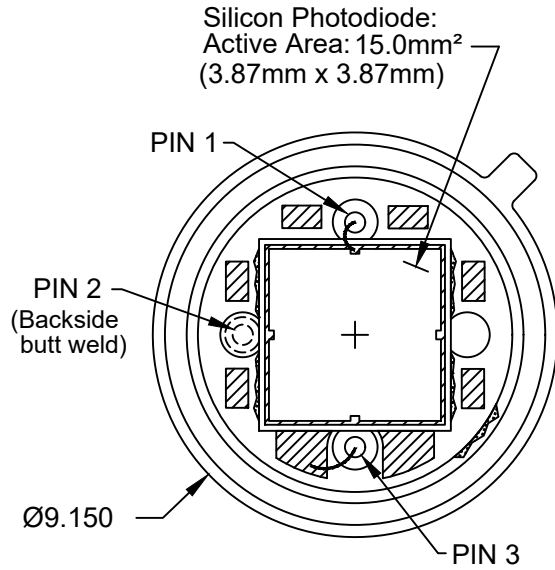


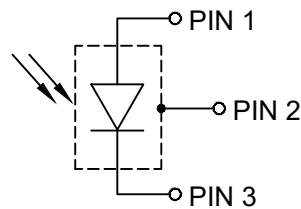
PROPRIETARY NOTICE: THIS DRAWING AND INFORMATION IN IT ARE THE PROPERTY OF INTOR INC. ALL RIGHTS INCLUDING DUPLICATION, REPRODUCTION AND MANUFACTURING RIGHTS ARE RESERVED AND MAY BE GRANTED BY WRITTEN PERMISSION ONLY.

REVISIONS			
REV.	DESCRIPTION	DATE	APPROVED



DEVICE SPECIFICATION
(Unless otherwise specified Vr=0V, Ta=22°C)

Parameter	Min.	Typ	Max.	Units	Test Conditions
Dark Current	--	0.25	2.0	nA	Vr = 5V
Shunt Resistance	100	200	--	MΩ	Vr = 10mV
Capacitance	--	130	190	pF	Vr = 0V; 1MHZ
	--	50	60	pF	Vr = 5V; 1MHZ
Responsivity	--	0.22	--	A/W	λ = 410nm
	--	0.37	--	A/W	λ = 550nm
Forward Voltage	--	--	0.8	V	If = 2mA
Breakdown Voltage	50	--	--	V	Ir = 10μA
Rise Time @ 410nm	--	70	--	ns	Vr = 10V; RL = 50Ω



UNLESS OTHERWISE SPECIFIED
DIMENSIONS ARE IN: MILLIMETERS

TOLERANCES ARE:
DECIMALS ANGLES
.X = +/- .25 +/- 1/2 deg
.XX = +/- .13
.XXX = +/- .050

APPROVALS	DATE
DRAWN BY BWBC	FEB 07 2018
CHECKED BY Barry Jones	FEB 07 2018
RELEASED BY	

Marktech Optoelectronics

TITLE
**Silicon Photodiode, TO5, Isolated, No Cap
PS15.0PV1, VIS-NIR Enhanced**

SIZE A	Cage Code 80PH3	DWG. No. MT03-015	REV. A
SCALE NONE			SHEET 1 OF 1