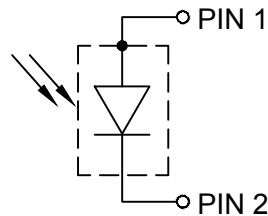
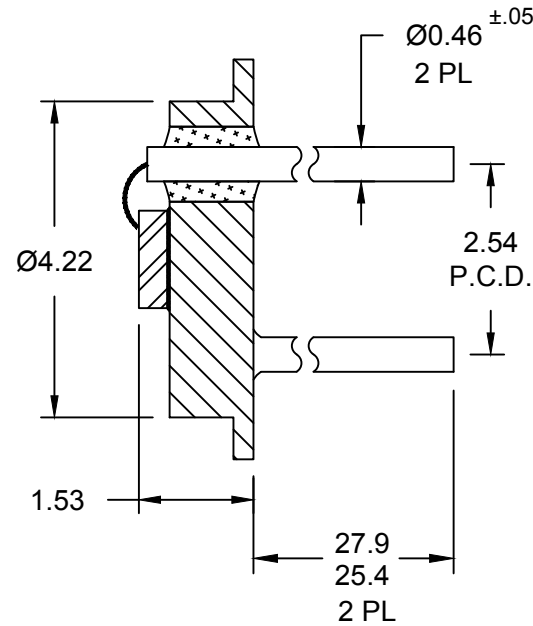
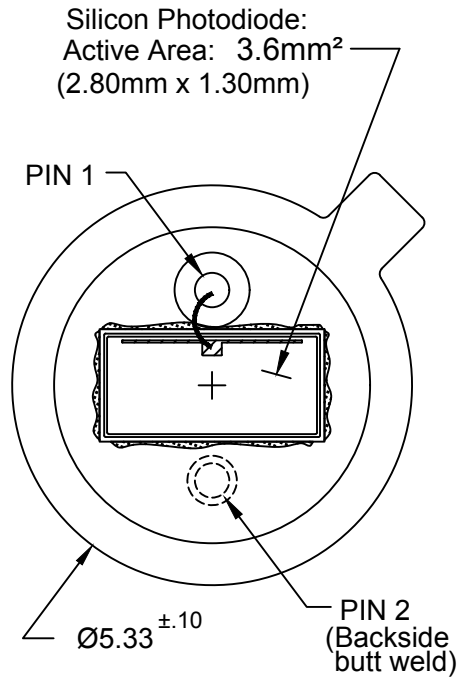


PROPRIETARY NOTICE: THIS DRAWING AND INFORMATION IN IT ARE THE PROPERTY OF MARKTECH OPTOELECTRONICS, INC. ALL RIGHTS INCLUDING DUPLICATION, REPRODUCTION AND MANUFACTURING RIGHTS ARE RESERVED AND MAY BE GRANTED BY WRITTEN PERMISSION ONLY.

REVISIONS			
REV.	DESCRIPTION	DATE	APPROVED



DEVICE SPECIFICATION

(Unless otherwise specified Vr=0V, Ta=22°C)

Parameter	Min.	Typ	Max.	Units	Test Conditions
Shunt Resistance	500	1000	--	MΩ	Vr = ±10mV
	--	--	0.02	nA	Vr = 10mV
Capacitance	--	60	--	pF	Vr = 0V
Responsivity	.13	.18	--	A/W	λ = 400nm
	.35	.40	--	A/W	λ = 633nm
	.50	.55	--	A/W	λ = 950nm
Forward Voltage	--	--	0.8	V	If = 2mA
Breakdown Voltage	30	--	--	V	Ir = 10μA
Rise Time @633nm	--	50	--	ns	Vr = 5V; RL = 50Ω

UNLESS OTHERWISE SPECIFIED
DIMENSIONS ARE IN: MILLIMETERS

TOLERANCES ARE:
DECIMALS ANGLES
.X = +/- .25 +/- 1/2 deg
.XX = +/- .13
.XXX = +/- .050

APPROVALS	DATE
DRAWN BY BWBC	FEB 07 2018
CHECKED BY Barry Jones	FEB 07 2018
RELEASED BY	

TITLE Silicon Photodiode, TO46, No Cap PR3.6PV1, VIS-NIR Enhanced			
SIZE A	Cage Code 80PH3	DWG. No. MT03-016	REV. A
SCALE NONE			SHEET 1 OF 1